



Before You Start:

Please familiarize yourself with all the steps before beginning assembly.

Compatibility Info:

This Door System is designed to work with other Seizmik branded accessories for the Kawasaki Mule Pro as well as OEM Kawasaki branded hard tops. Please note Seizmik cannot guarantee fitment with other branded aftermarket products. Please research installation details thoroughly on our products & others when trying to combine different branded accessories.

Seizmik makes Windshields, Mirrors, Cab Systems, Light Bars, Storage Boxes, Hood Racks, and other great accessories for UTVs to maximize the vehicles usefulness.

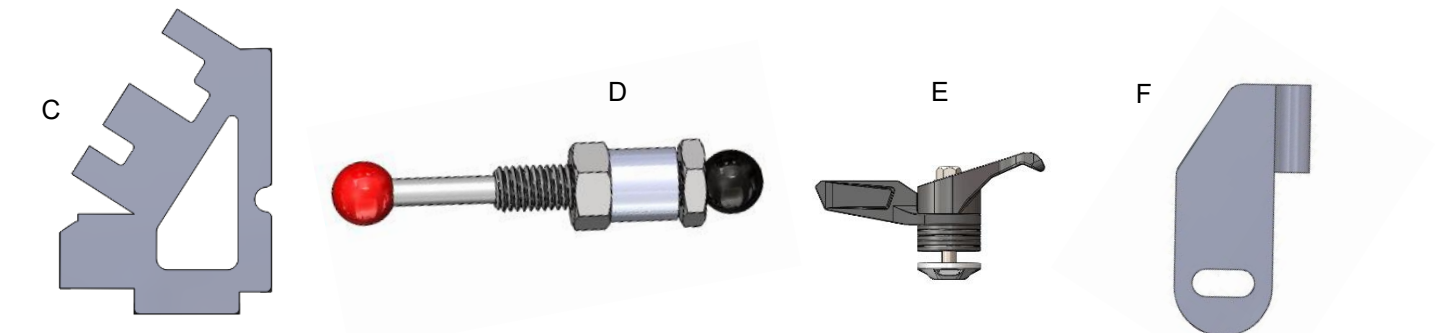
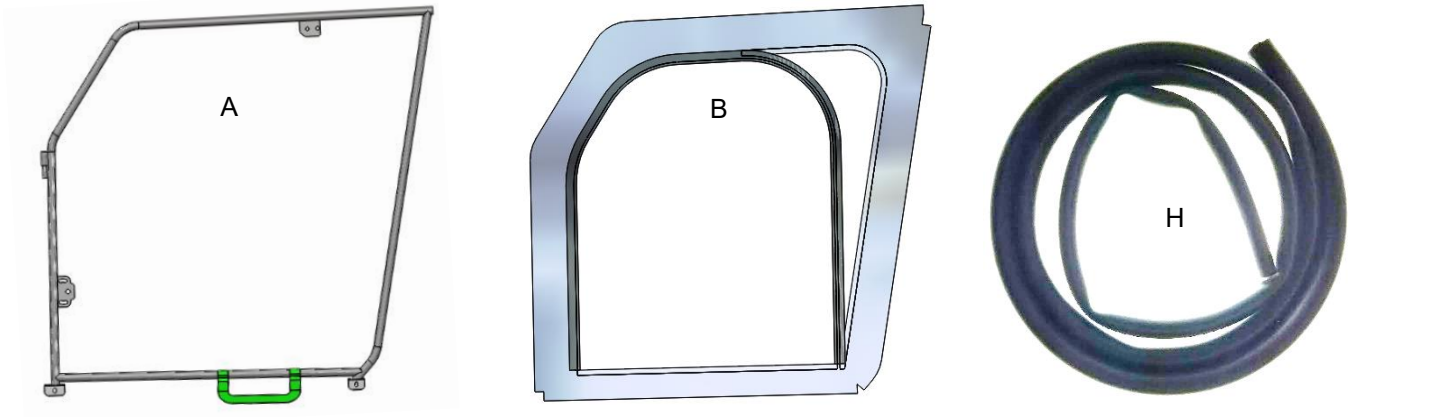
If you have any questions, comments, need assistance, or are missing parts, please call 1-866-838-3366 between 9:00AM and 5:00PM EST or email us at support@seizmik.com. Visit www.seizmik.com for more information on our products.



WARNING: This product is designed to protect from the elements of weather and is not designed for passenger retention purposes. Vehicle passengers should not lean on or against the doors. All passengers should wear seat belts while the vehicles is in use. Passengers leaning on or against the doors or failure of passengers to wear seat belts could result in serious bodily injury or death, especially when the vehicle is in operation.

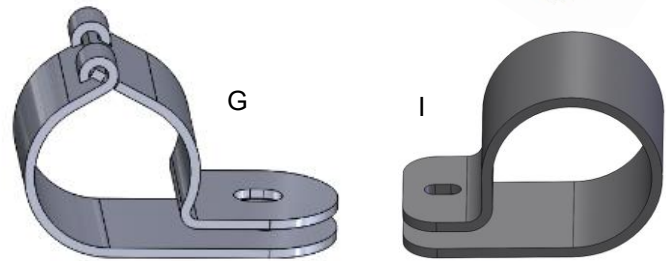
Kawasaki Pro Mule Doors Parts List

For item part numbers refer to the appendix at the back of these instructions.



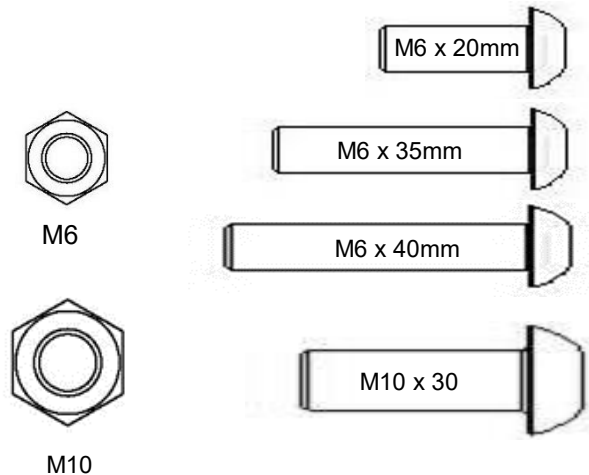
Parts:

- A. Upper door frame and door handle (Driver/Passenger)
- B. Door textile (Driver/Passenger)
- C. Filler panel textile (Driver/Passenger)
- D. Door release (x2)
- E. Lever handle [installed] (x2)
- F. Hinge tab (x2)
- G. Steel clamp 1.875 (x2)
- H. Gasket 40" (x2)
- I. 1.875" plastic P clamp (x4)
- J. Plastic rain gutter (x2)



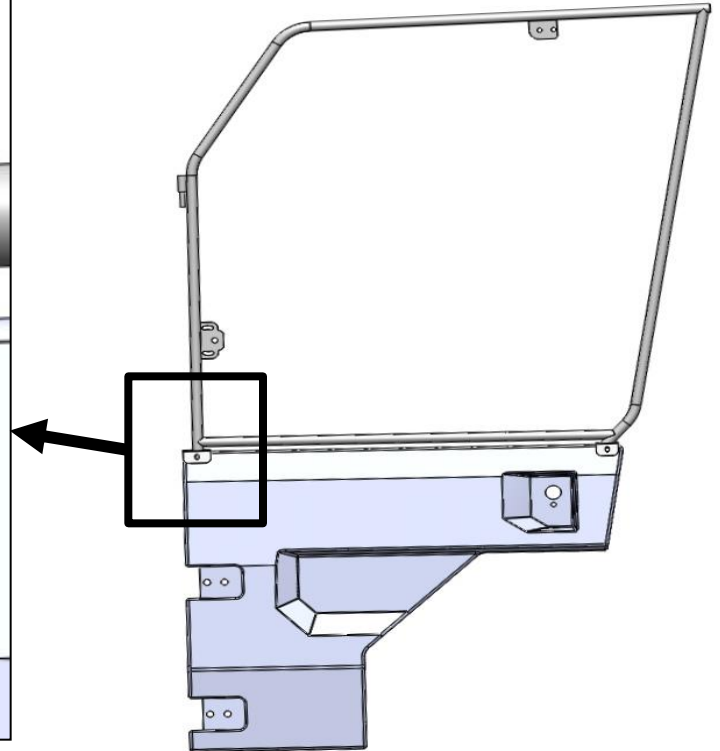
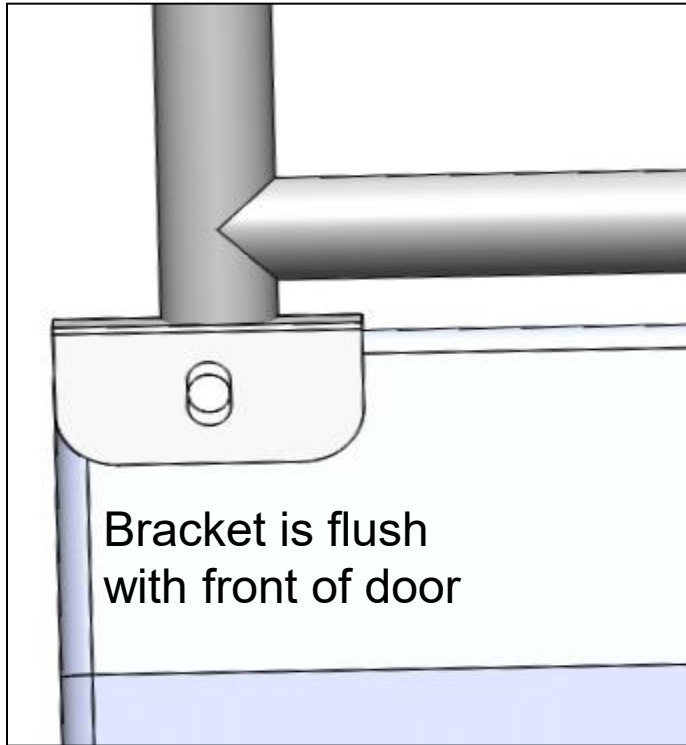
Hardware:

- M6 x 20mm button head bolt (x4)
- M6 x 35mm button head bolt (x2)
- M6 locknut (x8)
- M6 x 40mm button head bolt (x2)
- M6 nyloc flange nut (x4)
- M10 M10x30 button head bolt (x2)
- M10 nyloc flange nut (2)

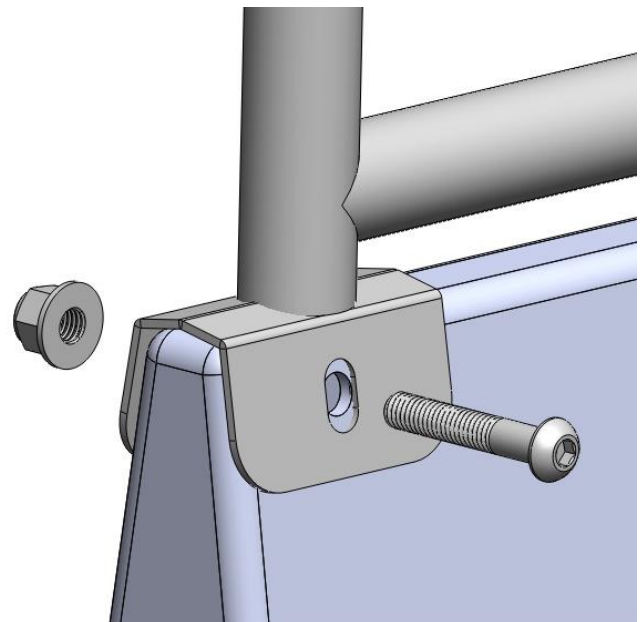


Installation of Door Frames

Before you begin, make sure the factory lower door closes well without having to lift or slam it. If it does not, you can adjust the doors slightly by loosening the hinge bolts or the striker pin, adjusting the door for better fit, then retightening. **Although it is not necessary, you may find the door installation easier if you remove the Textiles from the frame.**



1. Place metal door frame on the plastic factory lower door. Position frame making sure the bracket on the lower front is flush with the front of the lower door as shown



2. When you are satisfied with the fit, Use the brackets as a guide, carefully drill a 1/4 hole through the door in the front and rear locations. Bolt door in place using the M6x35 bolt in the front, and the M6x40 bolt in the rear. The nuts should be on the inside of the door. Repeat for other side.

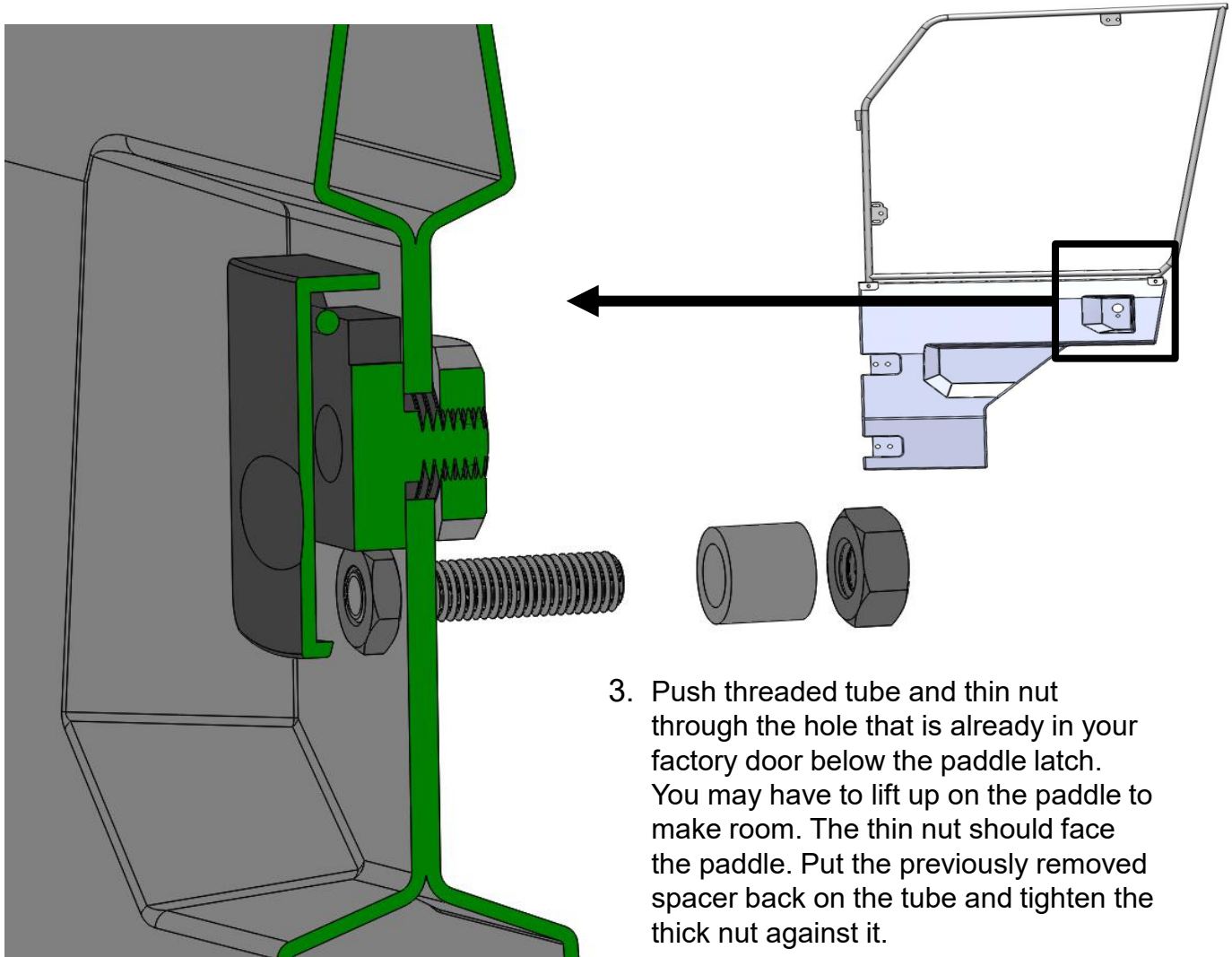
Installation of Inside Door Release



1. Begin by unscrewing either knob and removing pushrod from the threaded tube.

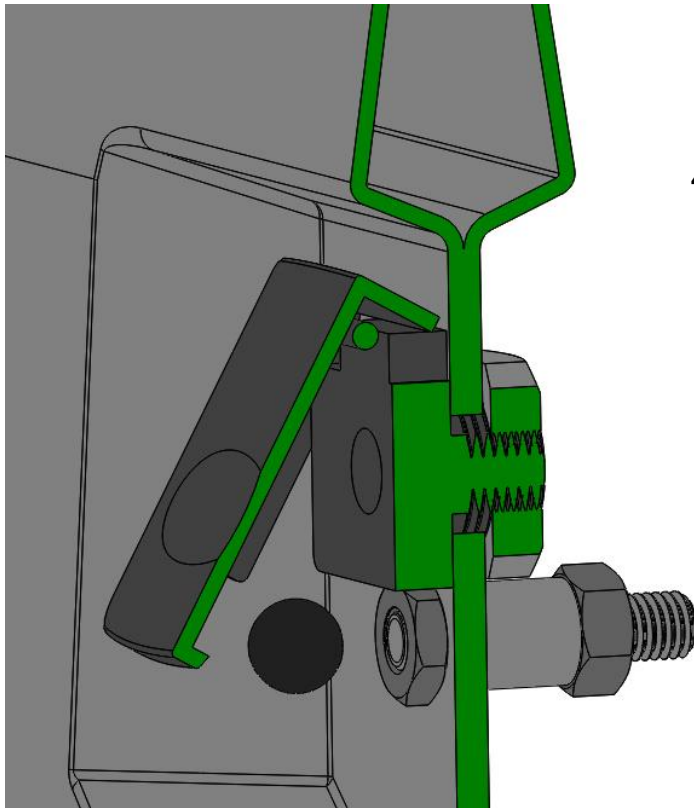


2. Remove thick nut and spacer from threaded tube leaving just the thin nut. **Make sure the thin nut is flush with the end of the tube.**

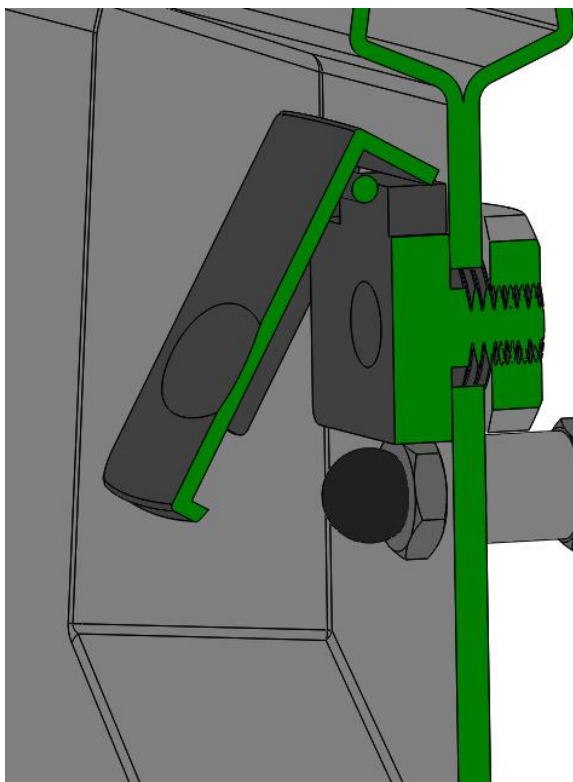


3. Push threaded tube and thin nut through the hole that is already in your factory door below the paddle latch. You may have to lift up on the paddle to make room. The thin nut should face the paddle. Put the previously removed spacer back on the tube and tighten the thick nut against it.

Installation of Inside Door Release

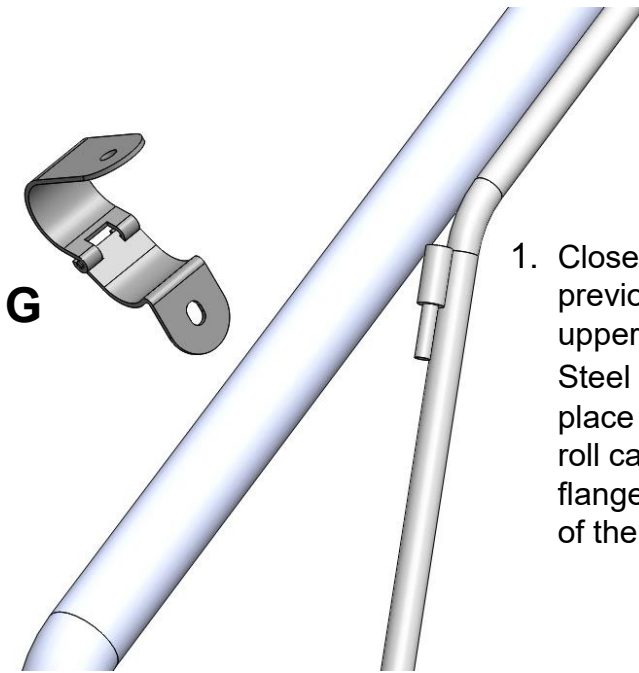


4. Insert the pushrod and knob back into the threaded tube from the inside and screw the knob onto the other end. The thin nut should still be flush against the threaded tube to leave as much room as possible for the knob under the paddle. Tighten both knobs.

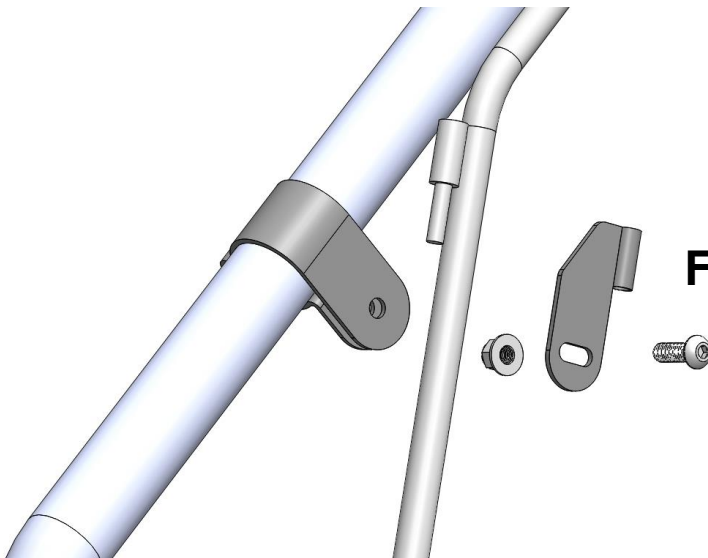
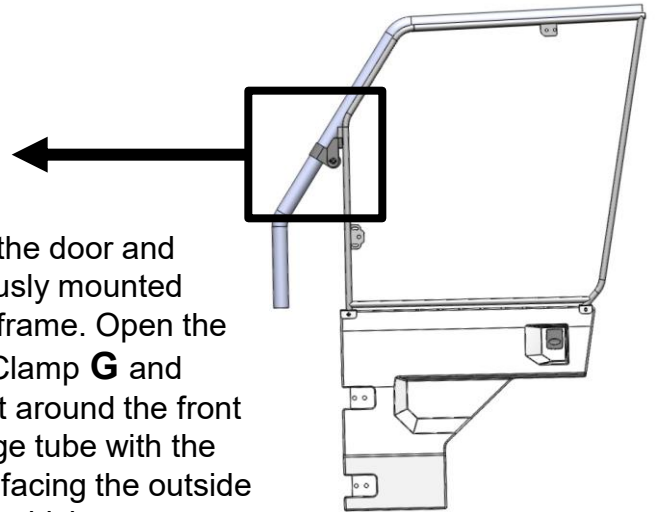


5. It should now look like this. When you push the knob on the inside of the door, it should smoothly operate the paddle latch on the outside of the door. Check for smooth operation and repeat installation for other door.

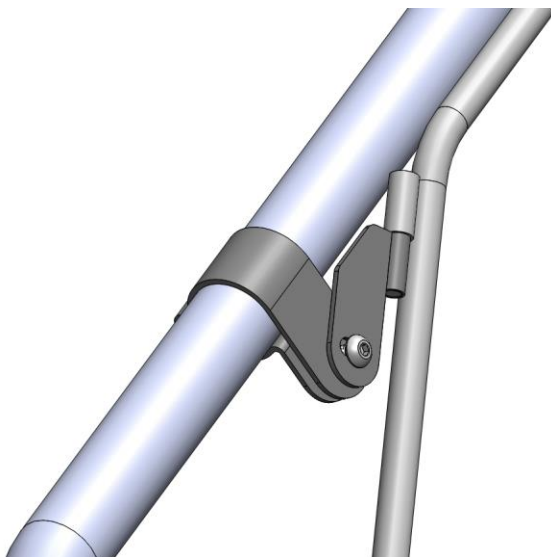
Installation of upper Hinge



1. Close the door and previously mounted upper frame. Open the Steel Clamp **G** and place it around the front roll cage tube with the flange facing the outside of the vehicle.

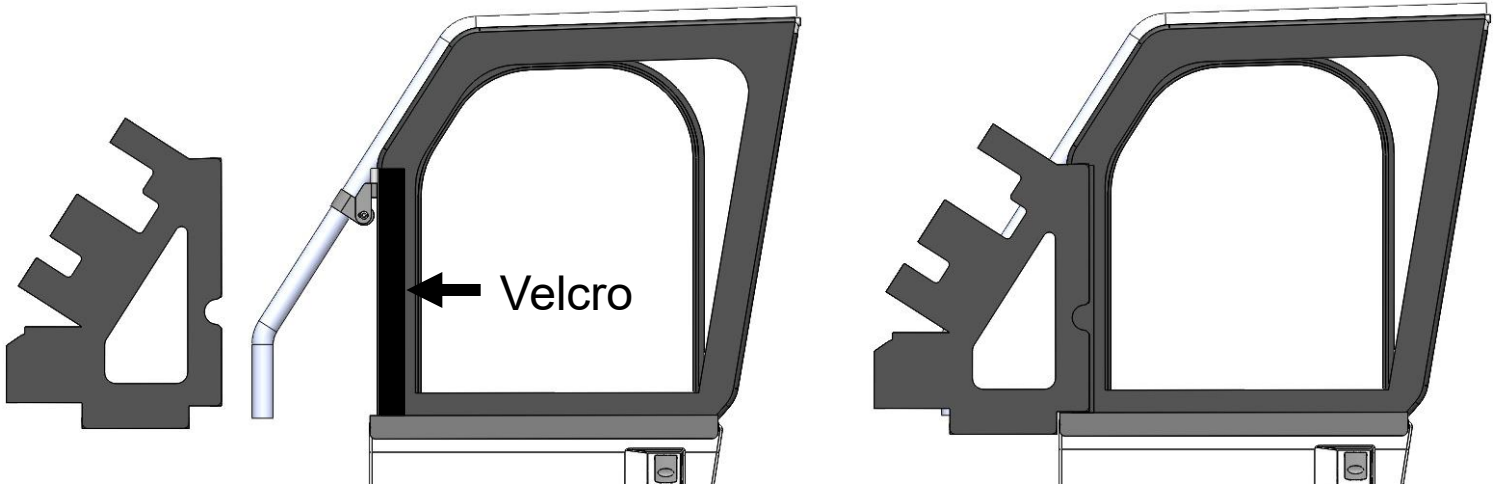


2. Slide Hinge Tab **F** onto door hinge pin and loosely bolt to the outside face of steel clamp using the M10x30 bolt and flange nut.

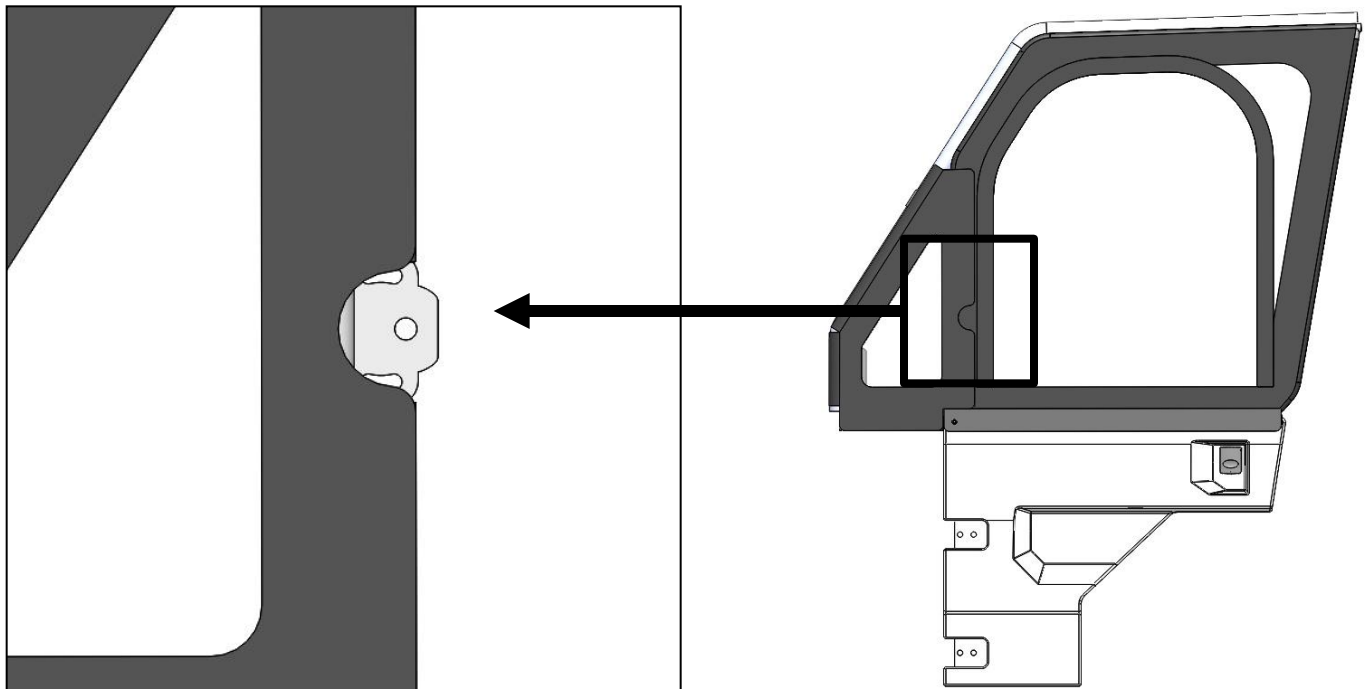


3. Adjust door frame as needed so that the top and front are parallel to the roll cage and the door does not hit the roof. When you are satisfied with the fit, tighten the M10 bolt. Repeat for the other side.

NOTE: If you had removed the door textiles for the previous steps, please re install them now. Resist the urge to make the textiles drum tight. When the material gets cold it will shrink slightly making the zippers difficult to operate so a little slack in the material is best.

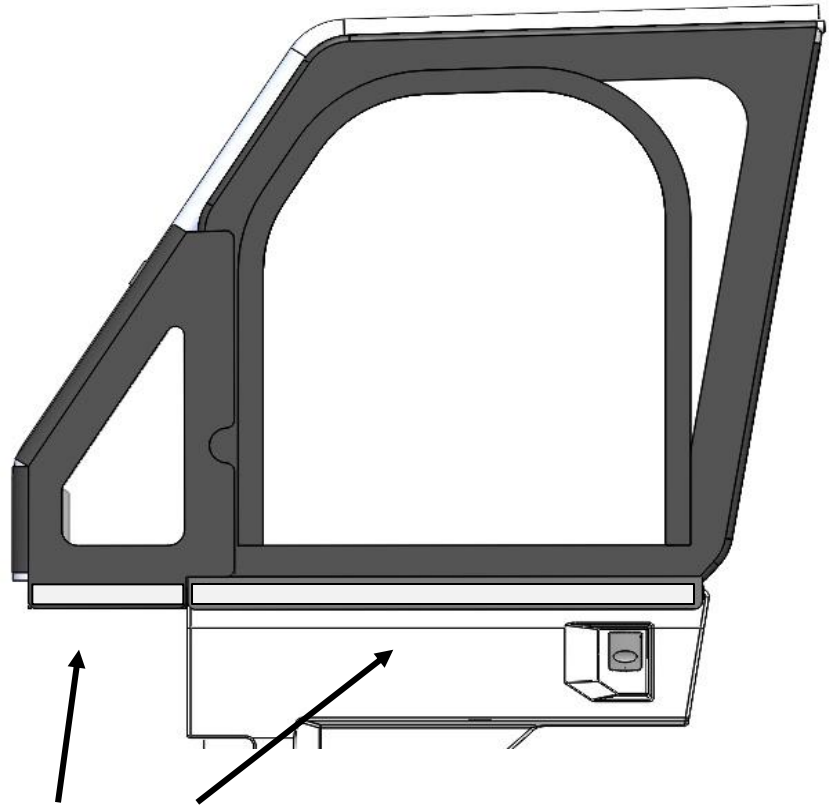


1. The door should be shut and latched for this next step. Install the filler panel textile by first attaching it to the 2" Velcro on the front edge of the door. The bottom should line up with the bottom of the flap on the door.



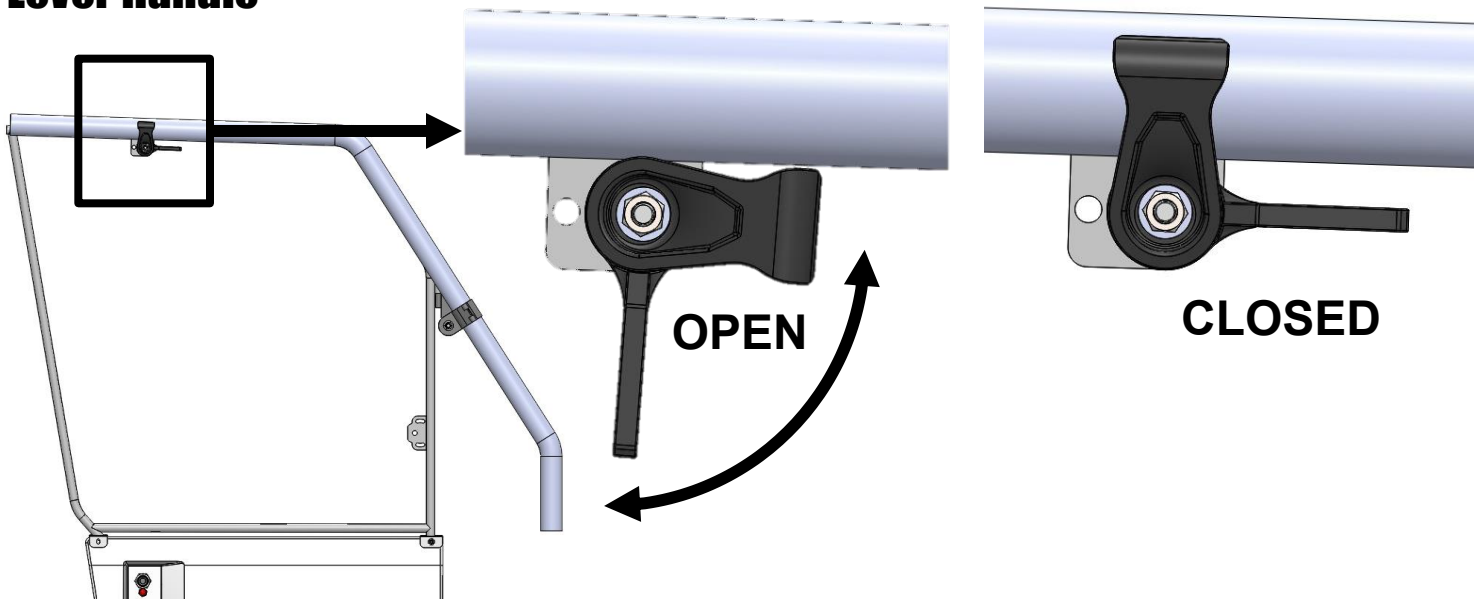
2. The half round cut out in the filler panel should also be centered over the mirror bracket welded to the front tube of the door frame. When everything is lined up, fold the front filler panel flaps around the roll cage tube and fasten to the Velcro on the opposite side. Re-adjust as necessary for best fit. Repeat for the other side.

Self Adhesive Velcro



When you are satisfied with the fit of the door and filler panel, locate the strips of self adhesive Velcro on the back side of the textiles in the locations shown. Clean the areas of bodywork underneath them thoroughly using rubbing alcohol. Peel off the protective backing and press them down firmly on the bodywork.

Lever Handle

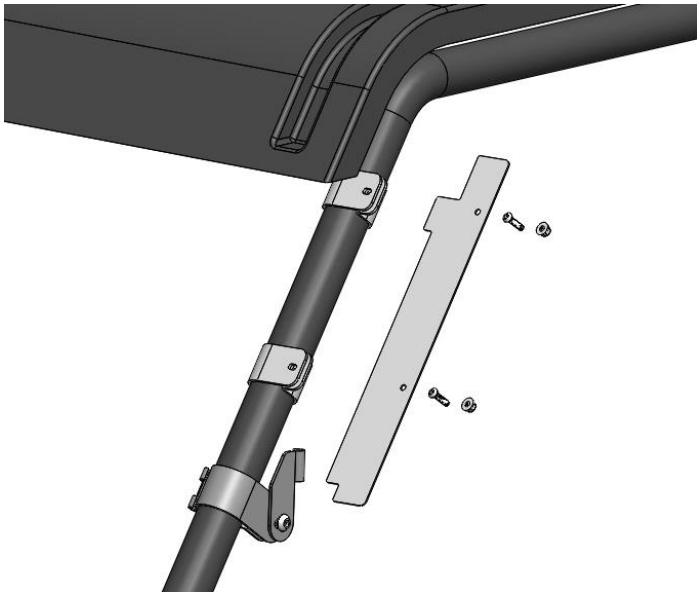


Because the factory door is so short and requires such a tall upper door to close the cab, it requires a little extra to hold it closed tightly. You may choose not to use this while riding but it is recommended for trailering the vehicle. When inside just rotate the handle forward to close the door tightly. If trailering, unzip the window from the outside, turn the handle, then re-zipper the window.

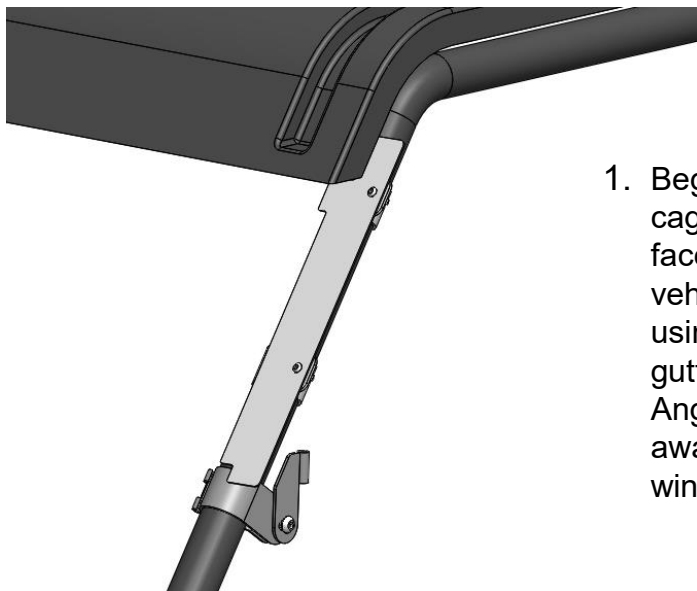
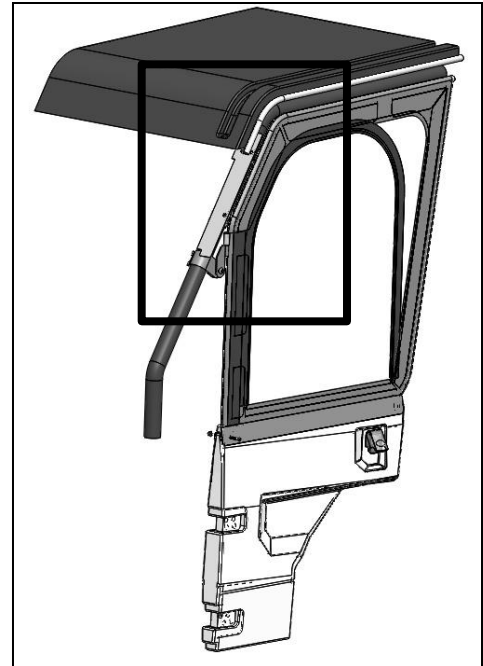
Rain Gutter



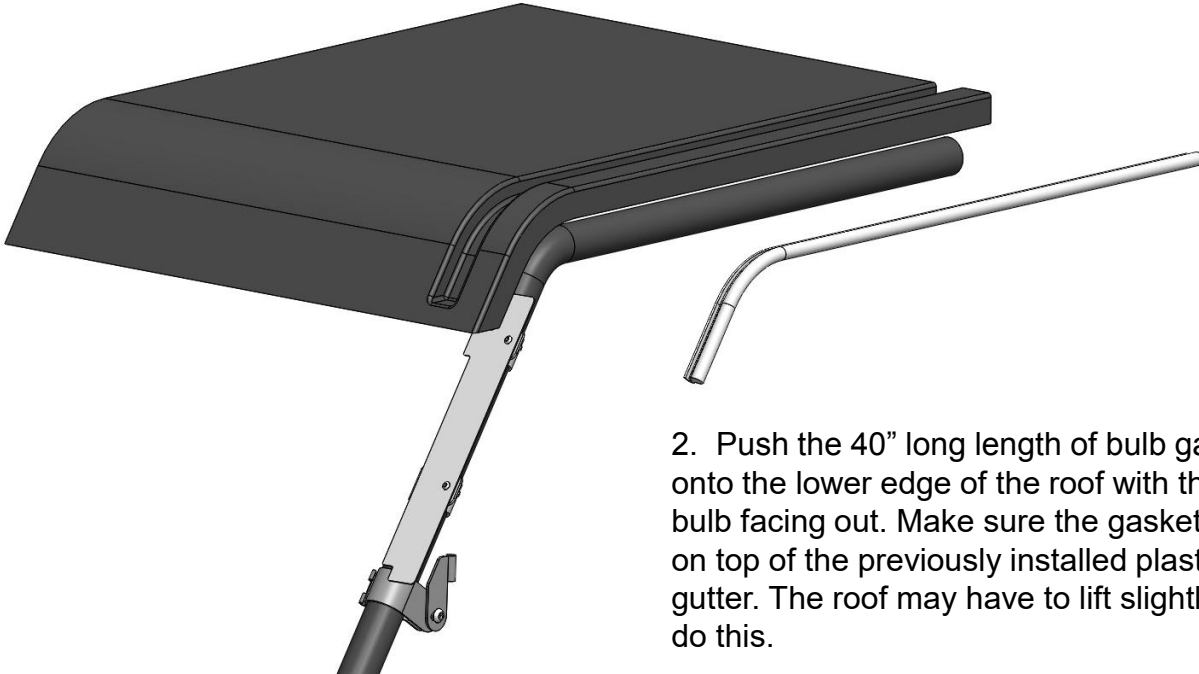
Note: If you don't have a Kawasaki roof or Seizmik windshield, some modification of these parts may be necessary.



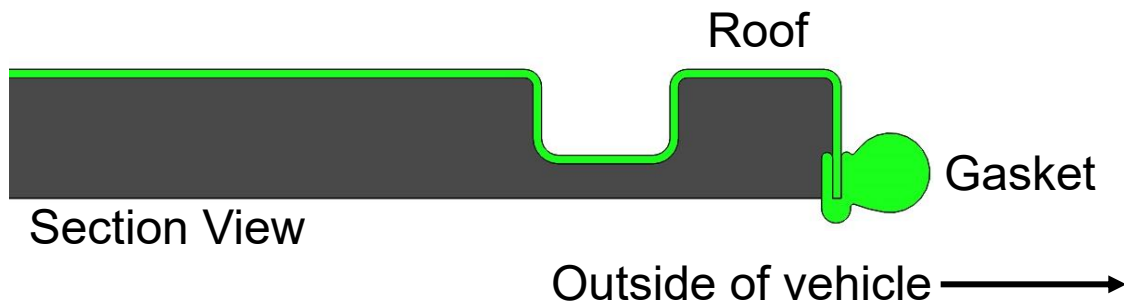
Area shown

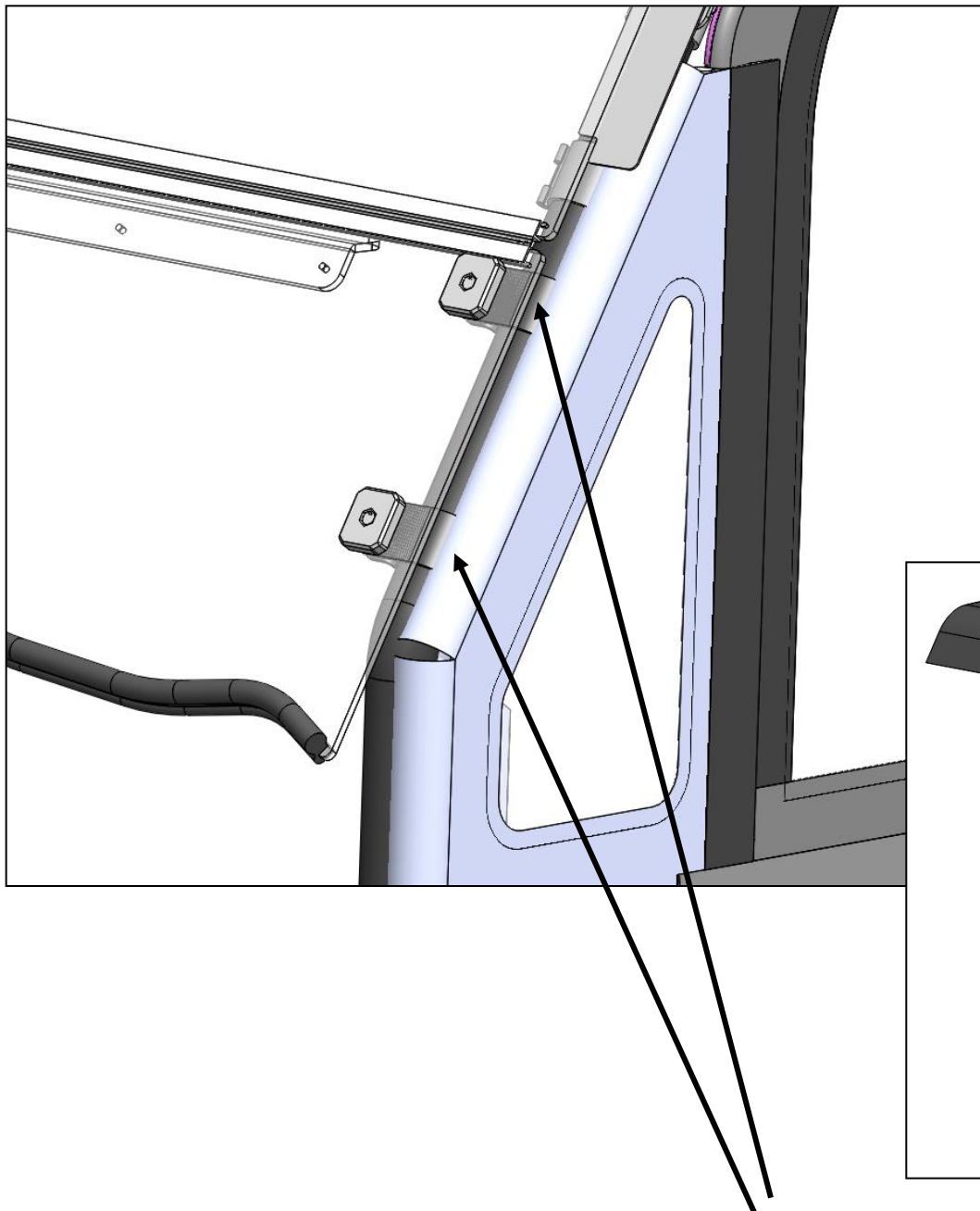


1. Begin by snapping 2 plastic P clamps onto the roll cage in the locations shown. The flanges should face the front and towards the outside of the vehicle. Bolt the plastic gutter in place as shown using M6x20 bolts and nuts. The upper part of the gutter should go under the front edge of the roof. Angle the gutter down slightly so the water will run away from the vehicle instead of onto the windshield.

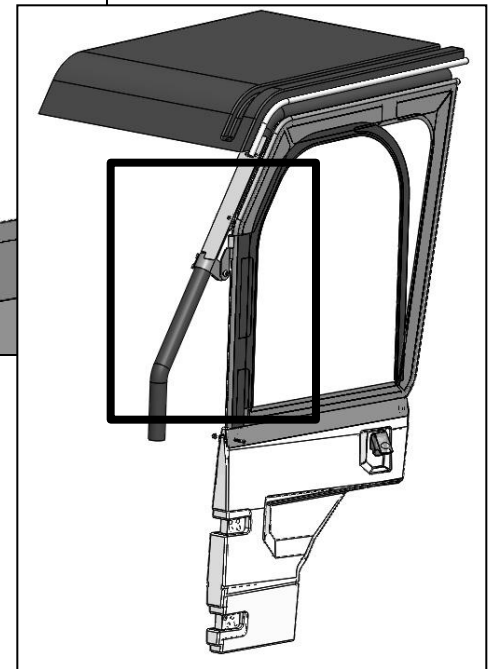


2. Push the 40" long length of bulb gasket onto the lower edge of the roof with the bulb facing out. Make sure the gasket sits on top of the previously installed plastic gutter. The roof may have to lift slightly to do this.





Area shown



Because there are so many different windshields, you will have to cut the front textile for whatever clamps your windshield uses. Set the windshield in place over the installed textiles, and using the mounting holes in the windshield as a guide, mark the clamp locations on the textile. Using a sharp knife, cut slits in the textile for the clamps and install the windshield.

Installing Mirrors with Soft Doors (Opt.)



13. Locate the mirror mounting bracket on the inside of the door frame. Mark the location of the hole with a punch so that it can be seen through the outside of the door textile.



14. Using a sharp razor or utility knife, cut the textile so the mirror mounting bolt can pass through.



15. Pass the bolt through the mounting bracket and thread into the mirror and tighten (DO NOT OVER TIGHTEN).



APPENDIX

Kawasaki Mule Pro Upper Doors (06020)		
Item #	Part#	Description
A	54-SW-90252	Door frame
A	54-SW-90253	Red nylon/rubber grab handle
B	54-SW-90254	Door textile driver side
B	54-SW-90255	Door textile passenger side
C	54-SW-90256	Filler panel textile driver side
C	54-SW-90257	Filler panel textile passenger side
D	54-SW-90258	Door release
E	54-SW-90259	Lever handle assembly
F	54-SW-90260	Hinge tab
G	54-SW-90261	1.875 steel clamp
H	54-SW-90262	90° "unsized" Bulb Gasket 40"
I	54-SW-90263	1.875" plastic clamp
J	54-SW-90264	Plastic rain gutter
	54-SW-19205	06020 Hardware kit

